

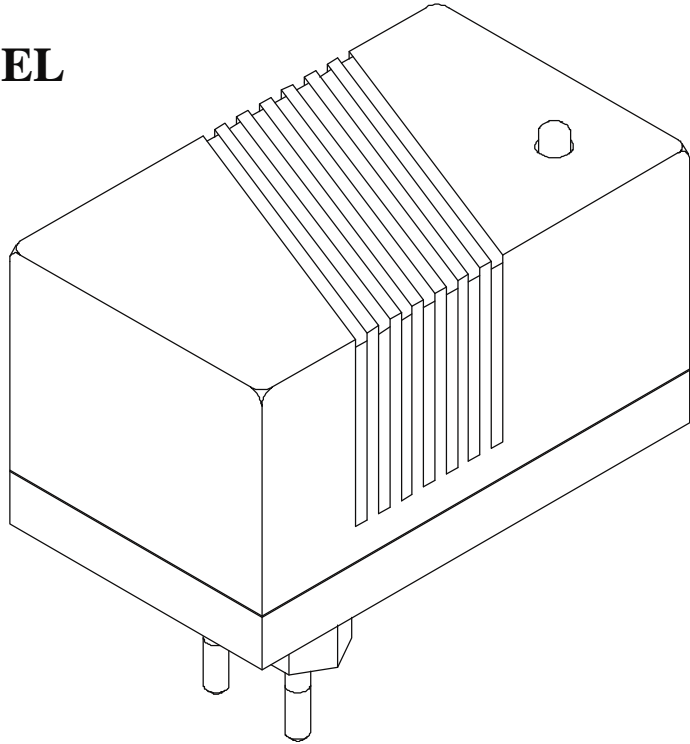


elektrosistem



## HIGH FREQUENCY BATTERY CHARGER FOR LEAD-ACID BATTERIES MODEL

### CB-40HF



The CB-40 HF battery charger is suitable for lead-acid batteries functioning with liquid electrolyte or gelatin and having a voltage rating of 24 V.

Charging is made with decreasing current.

The current supplied by the CB-40 HF is 1.8 A when battery voltage is 24V.

When battery voltage reaches 30V in the case of Id-gel batteries or 29 V in the case of liquid electrolyte batteries, a voltage adjustment is made: voltage is prevented to increase

in order to avoid overheating and consequent electrolyte evaporation.

The CB-40 HF is made up of an AC-DC high frequency converter that limits weight and dimensions of the equipment and allowing a very high specific power per kg. of equipment.

The card is equipped with a filter for electromagnetic emissions and a safety fuse and is protected against instantaneous short circuit (max. 5 sec.).

#### TECHNICAL SPECIFICATIONS

Input voltage .....	220V +/- 10%
Output voltage .....	24V
Supplied power .....	40W
Max. no-load voltage .....	29-30 V (it is possible to adjust the equipment according to personal requirements with different voltage values)
Ambient temperature .....	max 40 °C min -10 °C
Input and output .....	galvanically insulated
Efficiency .....	85%
Weight .....	0.2 Kg

~~NEWS~~

MECHANICAL CLEARANCES

